

# Teupen Leo 18 GT plus

class 12m-18m



🕒 setup time 4:40 engine 7:15 battery

<b>WORKING HEIGHT</b>	18.30m
<b>WEIGHT</b>	2,450kg
<b>OUTREACH</b>	8.50m
<b>LENGTH</b>	5.20m
<b>WIDTH</b>	0.78m

## KEY FEATURES

- Articulated:** Up and over clearance.
- Extendable jib:** Extendable jib gives additional reach.
- Auto-level:** Allows the machine to level itself on any terrain.
- Adjustable track system:** Allows narrowing and lowering for passing entrance or widening the footprint and giving additional ground clearance.

## CASE STUDY

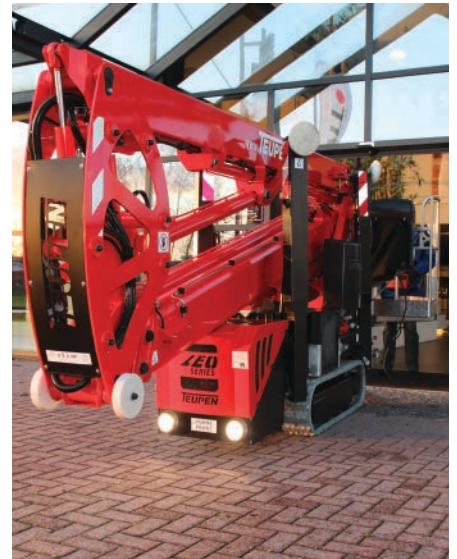
Nature of job:  
**Indoor light fitting**

Reason for choosing this Spider Lift:  
**Narrow, light, can work on finished floors**

An electrical company needed to hang new light fittings in a large retail store with a narrow entrance and finished floors.



The operator was able to carefully guide the machine through the narrow doorway with remote cable controls.

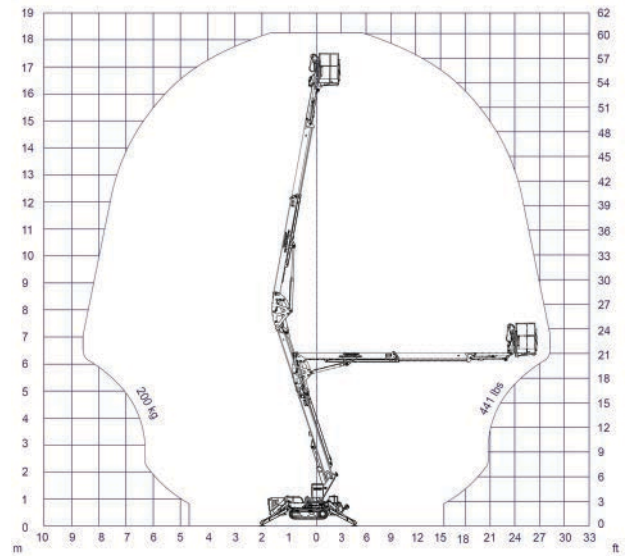


The compact Leo 18 GT plus allowed setup in a limited space.



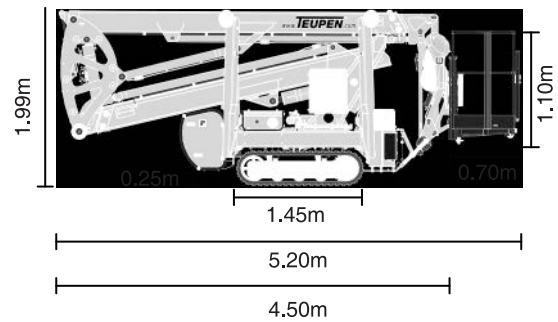
# SPECIFICATIONS

Specification		Metric	Imperial
Working Height		18.30m	60ft
Platform Height		16.50m	54ft 2in
Working Outreach		8.50m	27ft 11in
Slew		355°	-
Width	Travelling	0.78m	2ft 7in
	Max. Working	3.14m	10ft 2in
	Min. Working	3.00m	9ft 10in
Length	Travelling	5.20m	17ft 1in
	Outrigger	3.58m	11ft 9in
Height		1.99m	6ft 6in
Minimum Setup Area		3.03m x 5.20m	9ft 11in x 17ft 1in
Minimum Weight		2,450kg	5,401lb
Platform Capacity		200kg	440lb
Platform Size		1.4m x 0.7m x 1.1m	55in x 28in x 43in
Track Surface Area		1.45m x 0.20m	57in x 8in
Outrigger Plate		Ø0.2m	Ø8in
Drive Speed		1.5kph	1.0mph
Maximum Setup Incline		10% (5.7°)	-
Gradeability		36% (19.7°)	-
No. Outrigger Positions		1	



# FLOOR LOADINGS

Surface	Metric	Imperial
Max. Load per Outrigger	1,764kgf	3,889lbf
Max. Track Surface Pressure (Soft Ground)	0.3kg/cm <sup>2</sup>	623lb/ft <sup>2</sup>
Max. Surface Pressure on each Outrigger	5.6kg/cm <sup>2</sup>	11,470lb/ft <sup>2</sup>



# PLUG-IN VOLTAGE



110V or 240V, 16Amp  
Operates drive and boom functions.

# CRANING

- Put the machine in transport position.
- Switch the machine off.
- Attach belts or chains to all four support pads with shackles as shown below.
- Align the boom of the crane so that the lifting accessories are evenly loaded.
- If necessary, protect the paint of the aerial access platform with suitable underlay materials.

